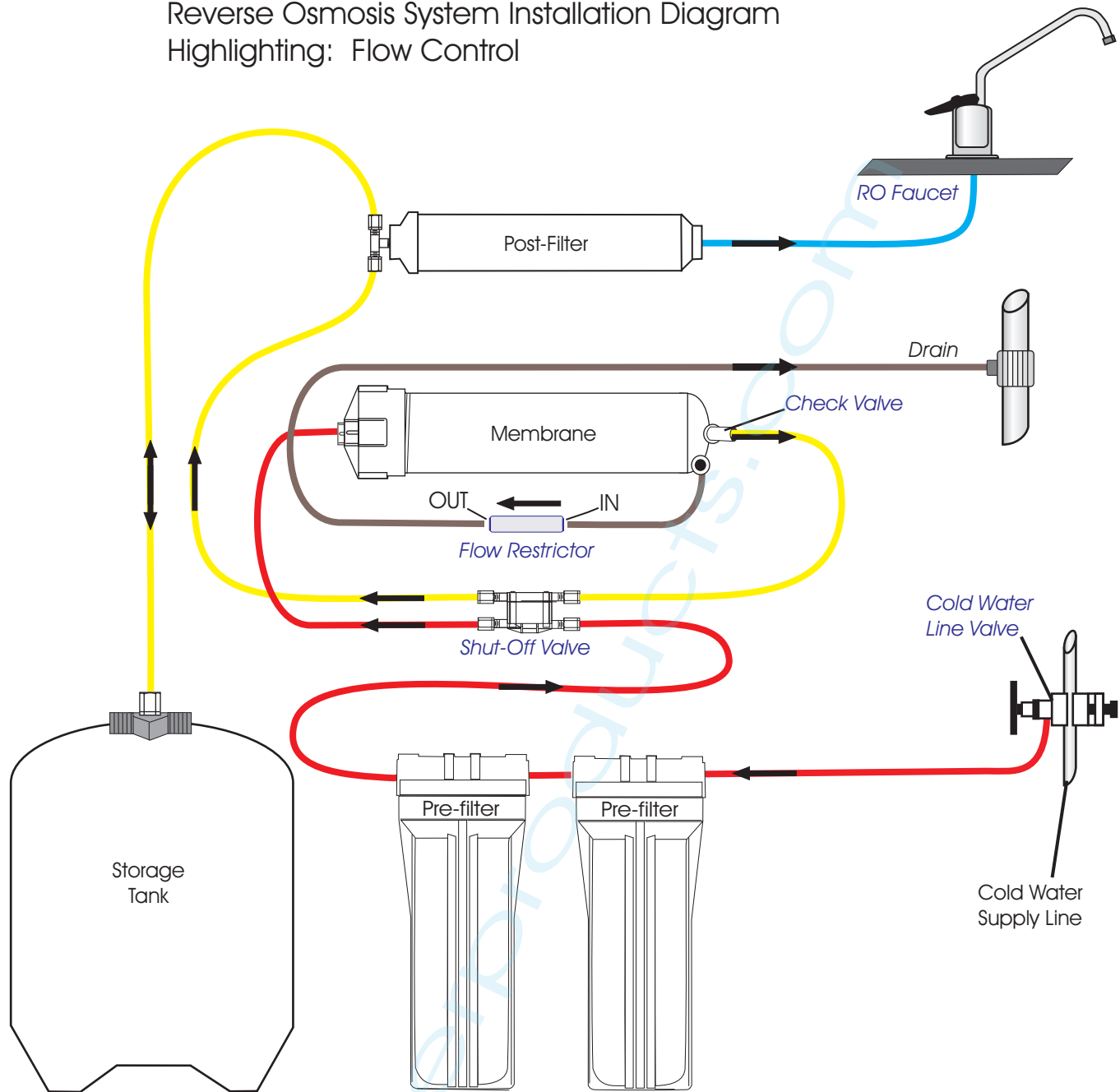


Reverse Osmosis System Installation Diagram Highlighting: Flow Control



Installing the Flow Restrictor

Step 1. Turn off feed water valve to the RO System. Open the RO faucet and allow all the pressure in the water lines to bleed off (allow a few moments for pressure to evacuate the entire system). On the standard system simply flip up the dispensing handle.

Step 2. The external flow control (flow restrictor) is installed "in-line" in the drain tubing. The flow control comes with quick connect fittings on both ends. To install: first cut the drain line 5-6 inches from the reverse osmosis membrane drain/brine fitting. (make sure the cut end is square and there are no rough edges on the tubing.) Position the flow control so the arrow is pointing away from the RO Membrane and toward the drain (see drawing). Push the tubing from the membrane into the inlet side of the flow control fitting, then push the tubing flowing to the drain into the outlet side of the fitting. Tug both connections gently to assure a firm fit. REMEMBER that the arrow on the flow control fitting is always pointing toward the drain and away from the reverse osmosis membrane.

Step 3. Slowly turn on the feed water valve – just until you can hear water entering the system. Check for any leaks!

Step 4. Turn feed water valve all the way on, Close the RO faucet (flip handle down), wait 5 minutes and check for leaks.

Your system is now ready for operation.