

# Instruction Sheet

## VIQUA Sensor Replacement

**Models:** G+, H+, J+, K+, PRO10, PRO20, PRO30, PRO50 and PRO24-186

### Section 1 Safety Information

Please read this entire instruction sheet before operating this equipment. Pay attention to all danger, warning, and caution statements in this instruction sheet. Failure to do so could result in serious personal injury or damage to the equipment.

Make sure that the protection provided by this equipment is not impaired. Do not use or install this equipment in any manner other than that specified in the instruction sheet.

#### Safety Precautions

### ⚠ DANGER



Failure to follow these instructions will result in serious injury or death.

#### **Shock Hazard - Stored Energy**



- Disconnect power to system before performing any maintenance or repair.
- There may be more than one source of power. Only connect to a GFCI.
- Protective ground
- DO NOT touch with wet hands.



#### **Pressurized Device - Impalement Hazard**



- NEVER perform any physical inspection, repair or maintenance on UV chamber unless UV chamber has been isolated and depressurized.
- NEVER service UV lamps, quartz sleeves or associated hardware until depressurization of UV chamber has been confirmed.
- DO NOT store any combustible or flammable material close to the system.



### ⚠ WARNING

Failure to follow these instructions could result in serious injury or death.

#### **UV Light Hazard**



- ALWAYS use UV protective gear, including gloves and UV safety glasses.
- NEVER look directly at illuminated UV lamp, even when using protective gear.
- NEVER illuminate UV lamp outside of the UV chamber.
- If accidental exposure occurs, immediately cool affected area and consult physician.



#### **Contamination Hazard**



- If UV lamp breaks, avoid inhalation, ingestion, or exposure to eyes and skin. Wear appropriate clothing and personal protective equipment.
- NEVER use a vacuum cleaner to clean up broken UV lamps as this will scatter the mercury. Obey local regulations and guidelines for the removal and disposal of mercury waste.



## ⚠ CAUTION

Failure to follow these instructions could result in minor or moderate injury.



### Thermal Hazard

- Allow UV lamps, UV chamber to cool for a minimum of 10 (ten) minutes before handling.
- When there is no water flow, the water in the chamber will become hot. To prevent scalding, allow the system to cool for 10 minutes before draining the system.



### Personal Injury Hazard

- UV lamps and quartz sleeves are fragile. Do not strike, bend or apply pressure, or they will break.
- DO NOT handle UV lamps or quartz sleeves with bare hands. Wear rubber or latex gloves to handle previously installed UV lamps and soiled quartz sleeves to protect against contaminants. Wear cotton gloves to handle new UV lamps and clean quartz sleeves.



## NOTICE

### System Protection

- To protect the Controller, a UL 1449 certified (or equivalent) transient voltage surge suppressor is strongly recommended.

### Avoid Injury

- Read and understand this Instruction Sheet before operating and performing any maintenance on this equipment.



**Warning:** This product may contain chemicals known to the State of California to cause cancer and birth defects or other reproductive harm.

## Section 2 Maintenance

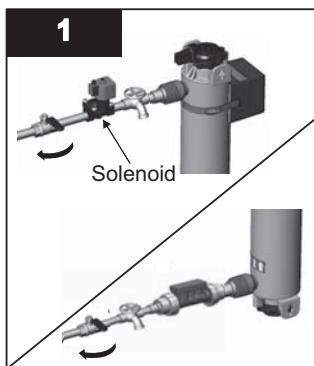
## ⚠ WARNING



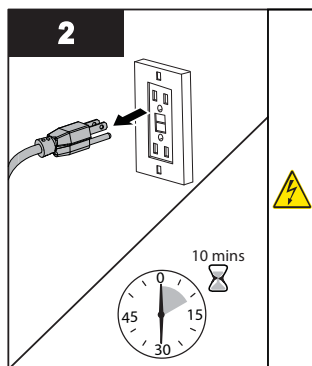
- Always disconnect power before performing any work on the disinfection system.
- Always shut-off water flow and release water pressure before servicing.
- Regularly inspect your disinfection system to ensure that the power indicators are on and no alarms are present.
- Always drain the chamber when closing a seasonal home or leaving the unit in an area subject to freezing temperatures.

### 2.1 Replacing Sensor

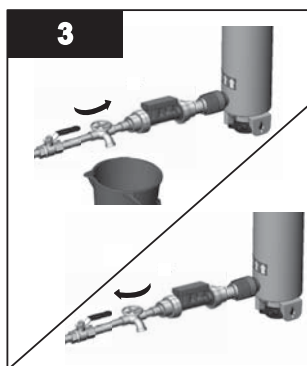
#### Procedure:



- Close each faucet and turn off water supply.
- Note:** Solenoid and flow restrictor are not used on all systems.



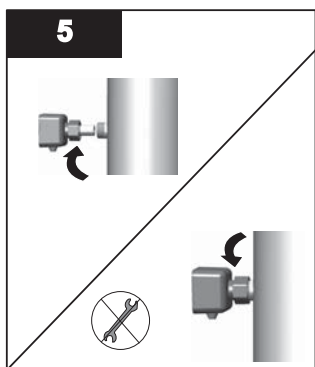
- Disconnect main power source and allow the unit to cool for 10 minutes.



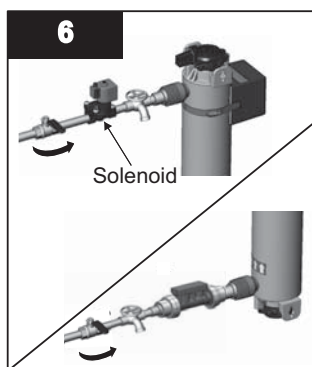
- Drain the water from the UV system.
- Close the water inlet after the water is drained.



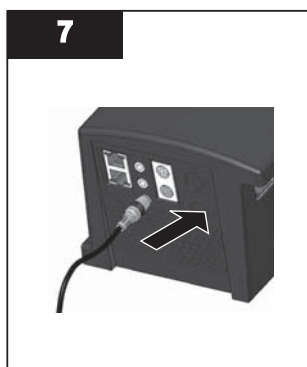
- Disconnect the sensor cable (blue).



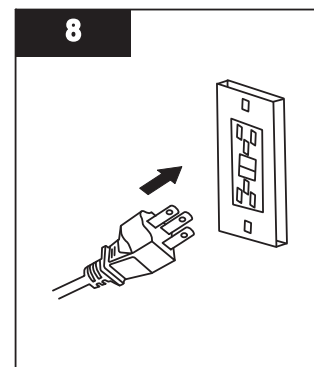
- Remove the old sensor from UV chamber.
- Install the new sensor to UV chamber.



- Turn on water supply.



- Connect the sensor cable (blue).

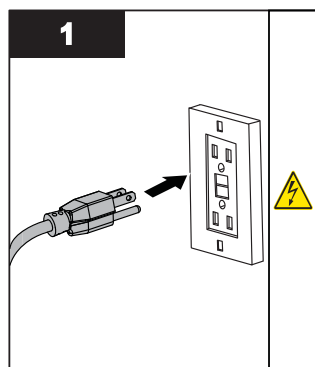


- Restore power.

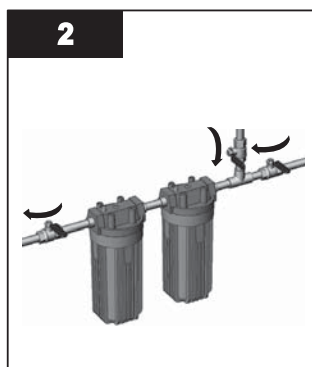
**Note:** After replacing the UV sensor perform the disinfection procedure, refer to [Section 2.2](#).

## 2.2 Disinfection Procedure

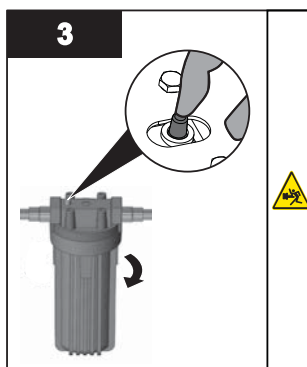
UV disinfection is a physical disinfection process and does not add any potentially harmful chemicals to the water. As UV does not provide a disinfection residual, it is imperative that the entire distribution system located after the UV be chemically disinfected to ensure that the plumbing system is free from any bacteriological contaminants. The disinfection process must be performed immediately after the UV unit is installed and repeated thereafter whenever the UV is shut down for service, without power, or inoperative for any reason. The procedure for sanitizing the plumbing system is readily accomplished as follows:



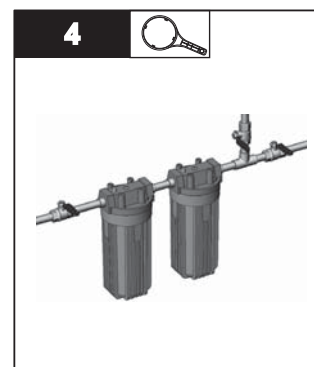
- Ensure the controller is plugged in for entire disinfection process.



- Shut off the water supply.

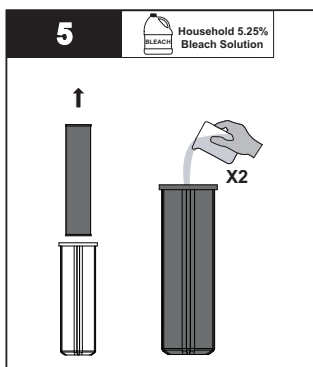


- Press the pressure button to release the pressure from the cartridges



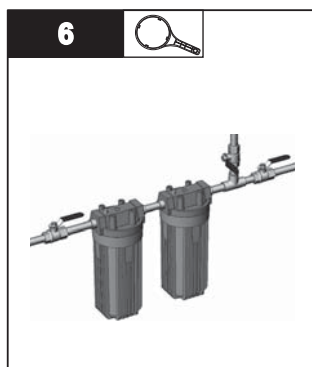
- Remove both the housings using sump wrench.

# Maintenance

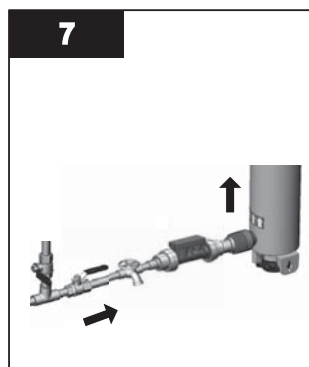


- Remove both cartridges and disinfect the housings with household bleach solution.

**Note: DO NOT use Hydrogen Peroxide.**



- Reinstall the housings.



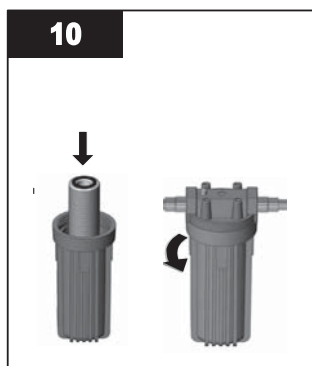
- Allow the water to fill UV Chamber.



- Open all faucets and turn on the cold water supply followed by hot water (if available) until you smell the bleach.
- Close all faucets and allow bleach in the water lines for 30 minutes.



- Shut off the water supply.



- Reinstall both the cartridges and housings.



- Flush all water outlets until bleach can no longer be smelled (at least 5 minutes).
- Press the pressure button to purge air to complete the disinfection procedure.



425 Clair Rd. W, Guelph, Ontario, Canada N1L 1R1  
t. (+1) 519.763.1032 • tf. (+1) 800.265.7246 (US and Canada only)  
t. (+31) 73 747 0144 (Europe only) • f. (+1) 519.763.5069  
e-mail: [info@viqua.com](mailto:info@viqua.com)  
[www.viqua.com](http://www.viqua.com)